

COVEFLEX WHALE

- Sleek, lightweight and flexible design allows for easy and convenient installations.
- IP67 protected by PU materials to be UV-resistant and chemical-resistant, suitable for various indoor and outdoor applications.
- Uniform lighting with perfect color consistency due to the utilization of one BIN only
- Various optics options: 30°, 45°, 60°, 20*45°.

ONE BIN ONLY
Color consistency Today and tomorrow



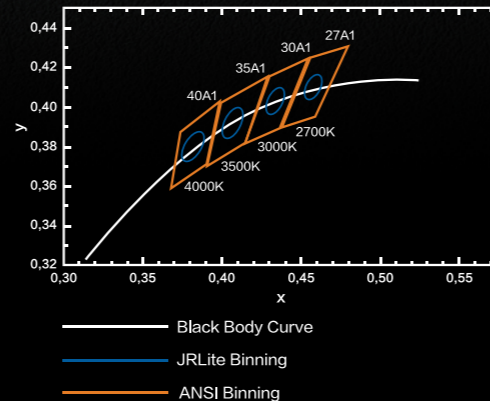
Note:
-Max production length is 5M for per roll.
-The given data are typical values due to the tolerances of the production process and the electrical components, values for light output and electrical power can vary up to 10%.



PARAMETER

Lumen efficiency	103lm/w(4000K, 30°)
Ra	Ra90
SMD Type	3030
LEDs/m	48LEDs/m
Power/m	18W/M
Voltage	DC24V(±0.5V)
Max Reel Length	5000mm
Unit cut	62.5mm
Storage Temperature	-25°C / -13°F _{min} , 60°C / 140°F _{max}
Life Span	>54000H
Waterproof rate	IP67
Warranty	5 Years

Binning



SPECIFICATION

OPTICS	CCT				Max. Run Length
	2700K	3000K	3500K	4000K	
30°	1544	1671	1711	1854	5M
45°	1554	1764	1525	1876	5M
60°	1580	1644	1862	1903	5M
20*45°	1484	1597	1693	1583	5M

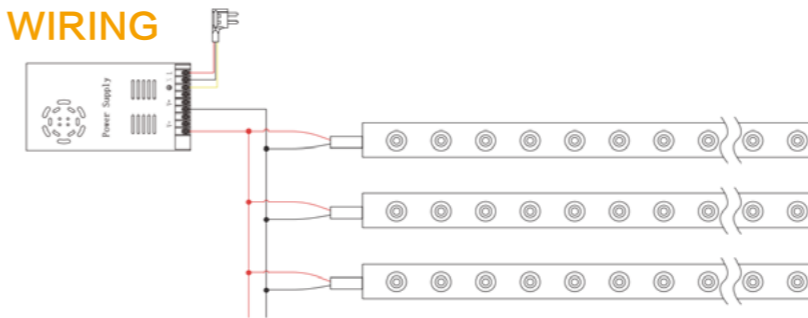
ORDER CODE

SERIES NAME	COLOR	LENGTH	OPTICS
WHALE	27=2700K	05000=5M/196.85"	30°
	30=3000K		45°
	35=3500K		60°
	40=4000K		20*45°

Example
Whale-27-05000-30°:
COVEFLEX WHALE, 2700K, 5M/reel, 30°.

Whale-40-1500-20*45°:
COVEFLEX WHALE, 4000K, 1.5M/reel,
20*45°.

WIRING



- Max. length per circuit is 5m, if it exceeds 5m, please split into multiple circuits.
- Please contact us if >150W power supply is needed.

ACCESSORIES



Mounting set
Order code
AC112



Male and Female
Connector
Order code
AC110-2



T Type Connector
Order code
AC111-2



Aluminium Profile
Order code
AC132



Angle Mounting Clips
Order code
AC027-SET
(Used With Profile)



Mounting Clips
Order code
AC026-SET



Order code: XLG-150-24-A
AC100-305V DC24V 150W
IP67, Global certification.
Non Dimmable.

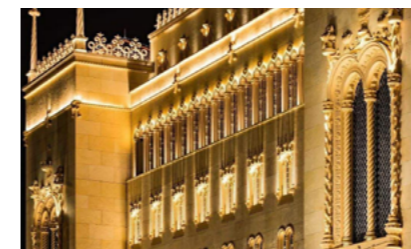


Order code: ELG-150-24B
AC100-305V DC24V 150W
IP67, Global certification
3in1 dimming function: 0-10Vdc,
10V PWM signal and resistance.



Order code: ELG-150-24DA
AC100-305V DC24V 150W
IP67, Global certification
Dali control technology.

APPLICATION



-It is perfect for illuminating a special architecture surface, to make it radiate with light both indoors and outdoors.

-Versatility of optics, flexible system and simple installation meet your needs of multiple lighting effect.

-We can catch wall washers in many places, like landscape, commercial building, overhead viaduct etc.